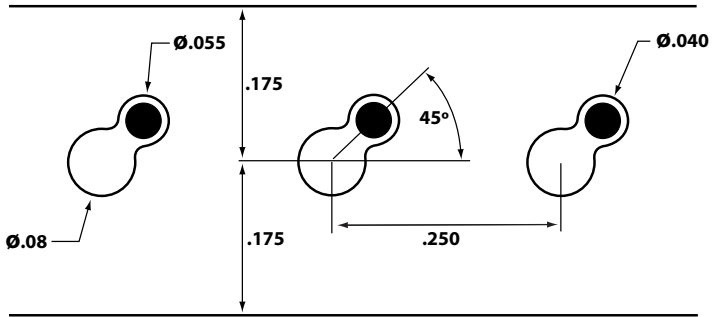
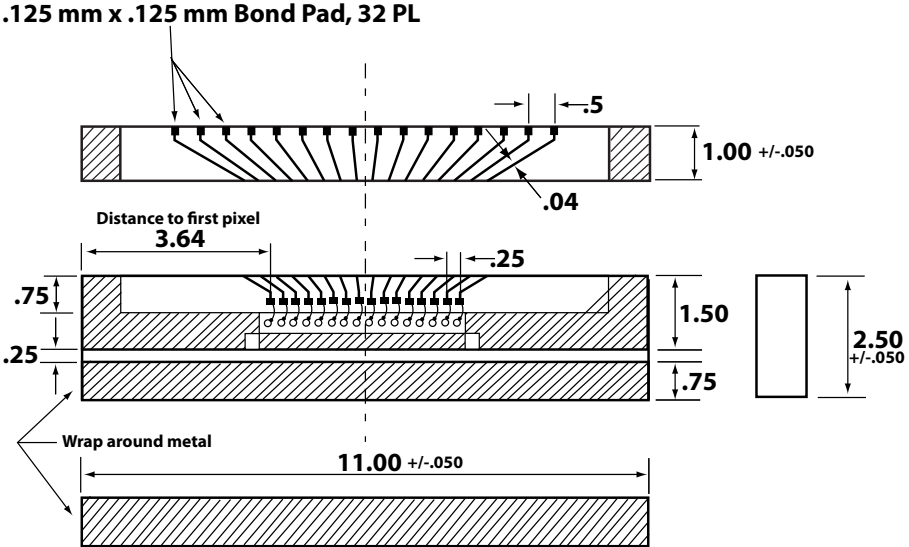


# High Speed Digital Array



Dimensional layout of FD80DA Digital Array Chip (mm)  
 (active diameters of 50  $\mu\text{m}$  and 140  $\mu\text{m}$  are also available)



Dimensional layout of 16-element Fanout Ceramic (mm)

